

**SULZER**

Massblatt XFP 100G-CB1 Trockeninstallation  
 Dimension sheet DRY-WELL Installation  
 Dimensioni Installazione a secco  
 Hoja de dimensiones instalación en seco  
 Plan d'encombrement Installation à sec

No: AN-M.22.593 - 03  
 Drawn: 05/08/10 D.Whelan  
 Issue Date: 09/05/2013  
 Änderungen vorbehalten  
 Technical changes reserved  
 Con riserva di modifiche  
 Con reserva de modificaciones  
 Sous réserve de modification

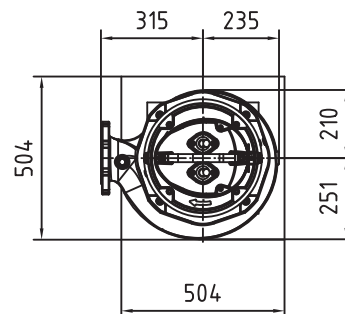
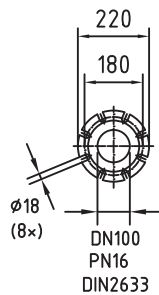
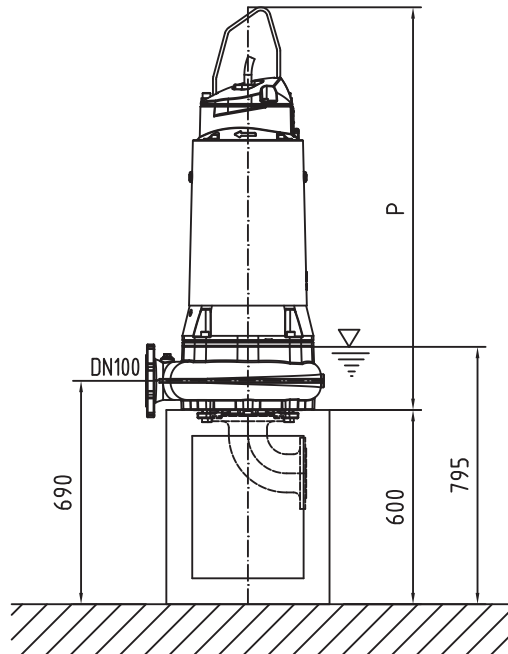
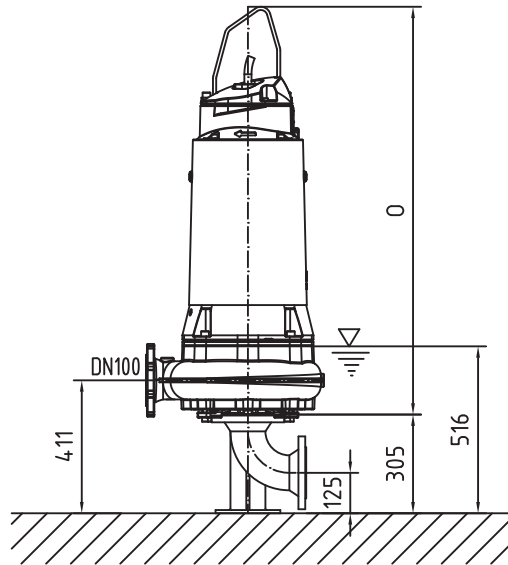
**50 Hz**

Type Type Tipo	Gewicht Weight Poids N.C.J. (kg)	Gewicht Weight Poids W.C.J. (kg)	O (mm)	P (mm)
PE 110/4	340	380	1260	1244
PE 140/4	340	380	1260	1244
PE 160/4	360	400	1260	1244
PE 185/4	360	400	1260	1244
PE 220/4	370	420	1300	1284

**60 Hz**

Type Type Tipo	Gewicht Weight Poids N.C.J. (kg)	Gewicht Weight Poids W.C.J. (kg)	O (mm)	P (mm)
PE 90/6	350	400	1260	1244
PE 130/4	340	390	1260	1244
PE 150/4	340	390	1260	1244
PE 185/4	370	410	1260	1244
PE 210/4	370	410	1260	1244
PE 250/4	390	440	1300	1284

N.C.J. = No Cooling Jacket  
 W.C.J. = With Cooling Jacket

**S.I.**

Gewicht: Beinhaltet Pumpe und Kabel (50 Hz = 10 m; 60 Hz = 15 m)  
 Weight: includes pump and cable (50 Hz = 10 m; 60 Hz = 15 m)  
 Peso: include bomba e cavo (50 Hz = 10 m; 60 Hz = 15 m)  
 Peso: Incluye bomba y cable (50 Hz = 10 m; 60 Hz = 15 m)  
 Poids : incluant la pompe et le câble (50 Hz = 10 m; 60 Hz = 15 m)

Guss-Allgemeintoleranzen nach DIN1680 - GTB16  
 General tolerances for castings in acc. to DIN1680-GTB16  
 Tolleranze generali delle fusioni secondo DIN1680-GTB16  
 Tolerancias generales para la fundicion seg. de DIN1680-GTB16  
 Tolérance générale de la fonderie selon DIN1680-GTB16

**SULZER**

Massblatt XFP 100G-CB1 Trockeninstallation  
 Dimension sheet DRY-WELL Installation  
 Dimensioni Installazione a secco  
 Hoja de dimensiones instalación en seco  
 Plan d'encombrement Installation à sec

No: AN-M.22.593 - 03  
 Drawn: 05/08/10 D.Whelan  
 Issue Date: 09/05/2013  
 Änderungen vorbehalten  
 Technical changes reserved  
 Con riserva di modifiche  
 Con reserva de modificaciones  
 Sous réserve de modification

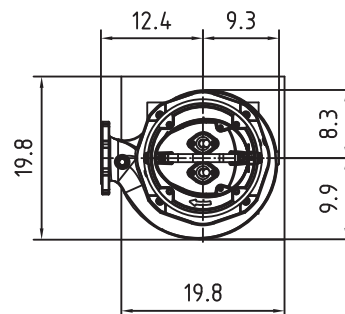
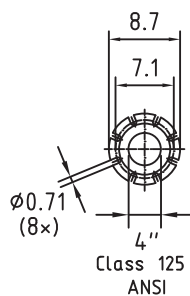
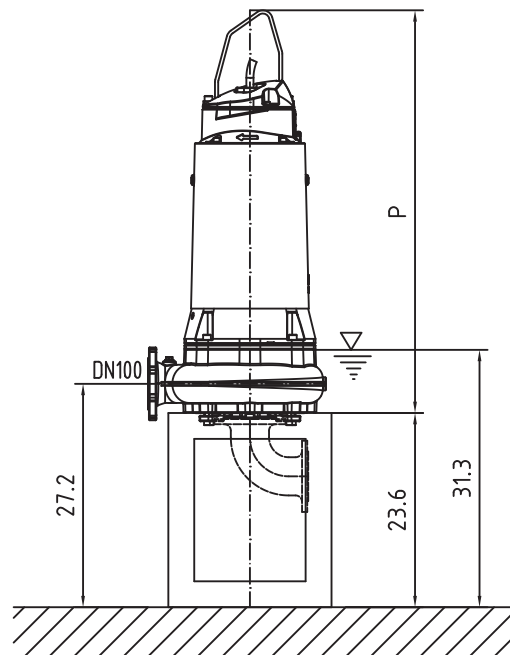
**50 Hz****U.S.**

Typ Type Tipo	Gewicht Weight Poids N.C.J. (lbs)	Gewicht Weight Poids W.C.J. (lbs)	P (")
PE 110/4	748	836	49
PE 140/4	748	836	49
PE 160/4	792	880	49
PE 185/4	792	880	49
PE 220/4	814	904	50.6

**60 Hz**

Typ Type Tipo	Gewicht Weight Poids N.C.J. (lbs)	Gewicht Weight Poids W.C.J. (lbs)	P (")
PE 90/6	770	880	49
PE 130/4	748	860	49
PE 150/4	748	860	49
PE 185/4	814	904	49
PE 210/4	814	904	49
PE 250/4	860	970	50.6

N.C.J. = No Cooling Jacket  
 W.C.J. = With Cooling Jacket



Gewicht: Beinhaltet Pumpe und Kabel (50 Hz = 10 m; 60 Hz = 15 m)  
 Weight: includes pump and cable (50 Hz = 10 m; 60 Hz = 15 m)  
 Peso: include bomba e cavo (50 Hz = 10 m; 60 Hz = 15 m)  
 Peso: Incluye bomba y cable (50 Hz = 10 m; 60 Hz = 15 m)  
 Poids : incluant la pompe et le câble (50 Hz = 10 m; 60 Hz = 15 m)

Guss-Allgemeintoleranzen nach DIN1680 - GTB16  
 General tolerances for castings in acc. to DIN1680-GTB16  
 Tolleranze generali delle fusioni secondo DIN1680-GTB16  
 Tolerancias generales para la fundición seg. de DIN1680-GTB16  
 Tolérance générale de la fonderie selon DIN1680-GTB16