


SPARE PARTS LIST/ERSATZTEILLISTE/LISTE DE PIÈCES DE RECHANGE
**SANIMAT 1002 W (S13/2 W)
SANIMAT 1002 D/HD (S12/2, S17/2 D)**

Valid from Serial Number: - (Version 2003)

Page :
Issue of : 28/10/2011
Supersedes Issue :
Issue No. : 03,04,05,06
Drawing ref. Nr. : ANS18015-03

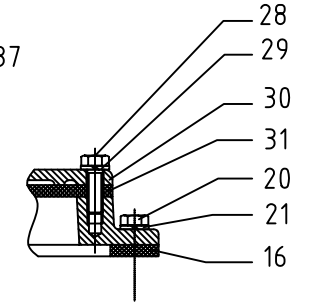
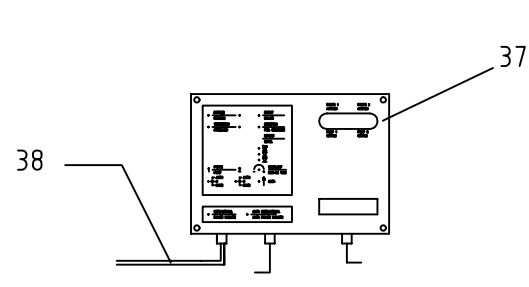
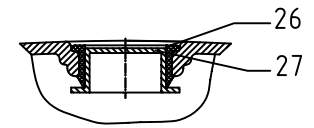
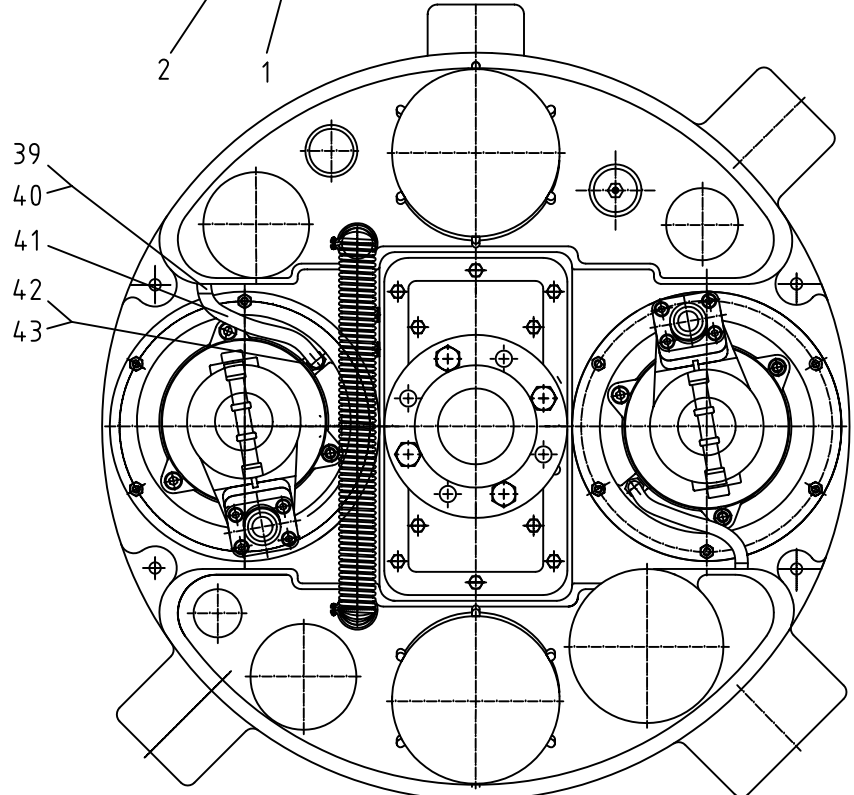
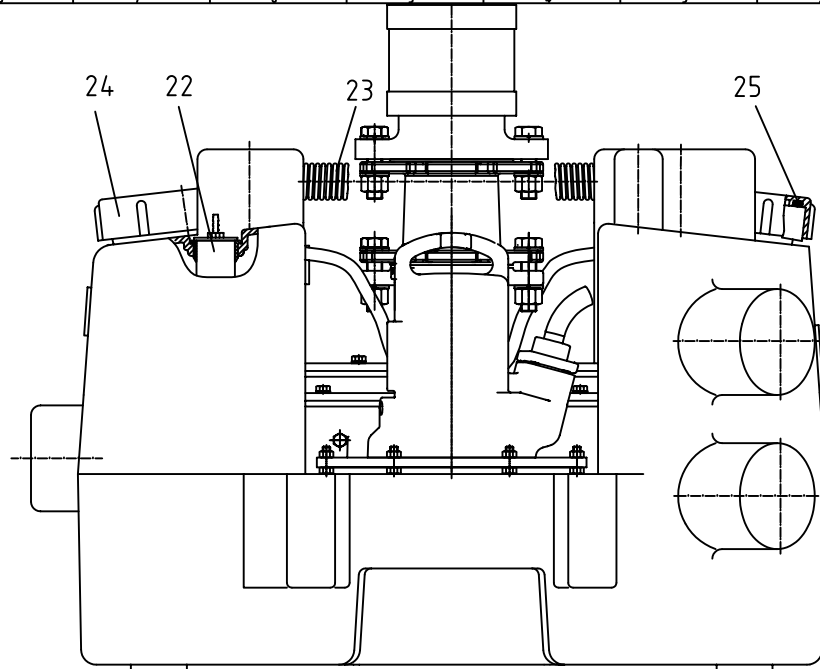
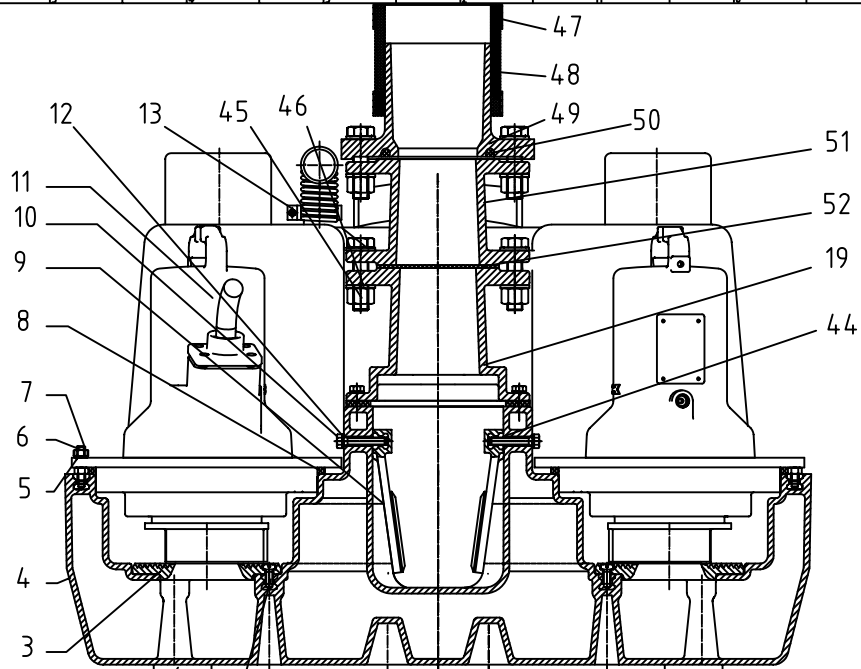
Pos. No.	Part No.	Kit	Qty	Description	Benennung	Designation	Dimensions /Din	Comments	Price
1	11220031		6	Cylinder screw	Zylinderschraube	Vis à tête cylindrique	M8x16 DIN6912	1.4401	
2	44270030		3	Vibration damper	Vibrationsdämpfer	Amortisseur de vib			
3	21060039		2	Bottom plate	Bodenplatte	Plaque de base	GG25		
4	42880049		1	Tank	Behälter	Reservoir			
5	11520017		12	Spring washer	Federring	Rondelle	A8 1.4401 DIN127		
6	11400083		12	Hexagonal nut	Sechskantmutter	Ecrou hexagonal	M8 DIN934		
7	11350054		12	Stud	Stiftschraube	Goujon	M8x50		
8	43070611		2	Seal ring	Dichtung	Rondelle joint			
9	43070210		2	Rubber flap	Dichtung RSK	Rondelle joint			
10	11200283		4	Hexagonal screw	Sechskantschraube	Vis hexagonal	M8x40 DIN931	1.4401	
11	06085582		4	Motor complete	Motor komplett	Moteur	230/1/50	S12/2 Use '06087045	
11	06087045		2	Pump	Pumpe	Pompe	230/1/50 w/klixon (4m cable)	S13/2-Imp. Ø110mm with capacitor 12810028	
11	06085240		2	Pump	Pumpe	Pompe	400/3/50 (4m cable)	S12/2-Imp. Ø118mm	
11	06085242		2	Pump	Pumpe	Pompe	230/3/50 (4m cable)	S12/2-Imp. Ø118mm	
11	06085241		2	Pump	Pumpe	Pompe	400/3/50 HD(4m cable)	S17/2-Imp. Ø128mm	
11	06085243		2	Pump	Pumpe	Pompe	230/3/50 HD(4m cable)	S17/2-Imp. Ø128mm	
12	11520017		4	Spring washer	Federring	Rondelle	A8 1.4401 DIN127		
13	15070007		2	Hose clamp	Schlauchschele	Collier	Ø25-40x9mm	HX Galv	
16	43070198		1	Seal	Dichtung	Joint	350x190x6	EPDM	
19	32485004		1	Discharge connection	Scheibenkupplung	Accouplement rigide	GG25	With DN80 flange	
20	11200211		10	Hexagonal screw	Sechskantschraube	Vis hexagonal	M8x25 DIN933		
21	11520017		10	Square washer	Vierkantscheibe	Rondelle carré	A8 DIN127		
22	61500518		1	Pressure pipe	Staurohr	Pressostat			
23	15060109		0.5	Hose pipe	Schlauchleitung	Conduite en tuyau			
24	42480008		2	Lid	Deckel	Couvercle			
25	11125009		2	O-ring	O-ring	Joint torique	Ø10x150 EPDM		
26	11150002		2	Seal	Dichtung	Joint	Ø46x40x20mm		
27	42850004		1	Blocking cap	Verschlußstopfen	Capot			
28	11200211		4	Hexagonal screw	Sechskantschraube	Vis hexagonal	M8x25 DIN933		
29	11520017		4	Spring washer	Federring	Rondelle	A8 1.4401 DIN127		
30	32480119		2	Cover	Deckel	Couvercle			
31	43070199		2	Seal	Dichtung	Joint	142x96x6	EPDM50	
37	62165059		1	Control box	Schaltkasten	Boite commande	230/1/50	SMG (2 pumps) S13/2 W	
37	62165030		4	Control box	Schaltkasten	Boite commande	220-230/3/50	Use 15207142 (2 pumps)	
37	15207142		1	Control box	Schaltkasten	Boite commande	230/3/50	CP212 (2 pumps)	
37	62160000		4	Control box	Schaltkasten	Boite commande	400/3/50	Use 62160940 (2 pumps)	
37	62160940		1	Control box	Schaltkasten	Boite commande	400/3/50	CP212 (2 pumps)	
38	15060002		3.3	Hose pipe	Schlauchleitung	Conduite en tuyau	ID5x1.5mm	PVC Clear	
39	15020077		2	Pipe Adaptor	Doppelnippel	Adaptateur	R1/4" 12mm SPIGOT	Plastic	
40	11570005		2	Hose clamp	Schlauchschele	Collier	13-15 GALV		
41	15060129		2	Hose pipe	Schlauchleitung	Conduite en tuyau	ID12mm	PVC REINFORCED	

SPARE PARTS LIST/ERSATZTEILLISTE/LISTE DE PIÈCES DE RECHANGE
**SANIMAT 1002 W (S13/2 W)
SANIMAT 1002 D/HD (S12/2, S17/2 D)**

Valid from Serial Number: - (Version 2003)

Page :
Issue of : 28/10/2011
Supersedes Issue :
Issue No. : 03,04,05,06
Drawing ref. Nr. : ANS18015-03

Pos. No.	Part No.	Kit	Qty	Description	Benennung	Designation	Dimensions /Din	Comments	Price
42	15020077		2	Pipe Adaptor	Doppelnippel	Adaptateur	R1/4" 12mm SPIGOT	Plastic	
43	11570005		2	Hose clamp	Schlauchschelle	Collier	13-15 GALV		
44	11120234		4	O-ring	O-ring	Joint torique	Ø7.6x4 DIN3771	NBR70	
45	14060100		4	Hex bolt	Sechskantschraube	Vis hexagonal	M16x60		
46	11470008		8	Washer	Scheibe	Rondelle	B17		
47	15070038		2	Hose clamp	Schlauchschelle	Collier	Ø125-135x25mm		
48	15060116		1	Hose pipe	Schlauchleitung	Conduite en tuyau	Ø110x8x120mm	Flexible	
49	41400593		1	Flange	Flansch	Bride	DN80	Plastic	
50	11120322		1	O-ring	O-ring	Joint torique	Ø90x10 DIN3771	NBR70	
51	31405005		1	Intermediate piece	Zwischenstück	Corps intermediaire		With DN80 flange	
52	14020017		1	Gasket	Flachdichtung	Joint plat	142x89		



SPARE PARTS LIST / ERSATZTEILLISTE
 LIST DE PIÉCES DE RECHANGE
 SANIMAT 1002

AN-S 18.15-03
 CAD CODE: 6A
 DATE/NAME : 25.06.82 JÜRGEN
 Product design reserved
 Intellectual property
 Patent rights reserved