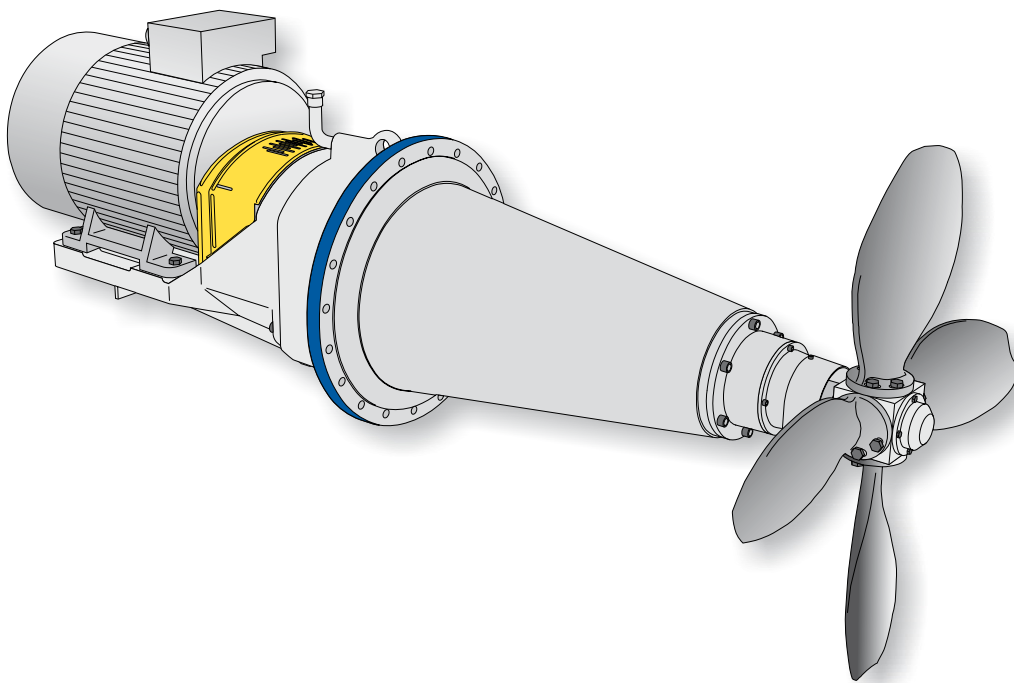


**Sulzer Pumps**  
**SALOMIX® SLG Agitator**  
**Gear Drive**



## Quality and Performance

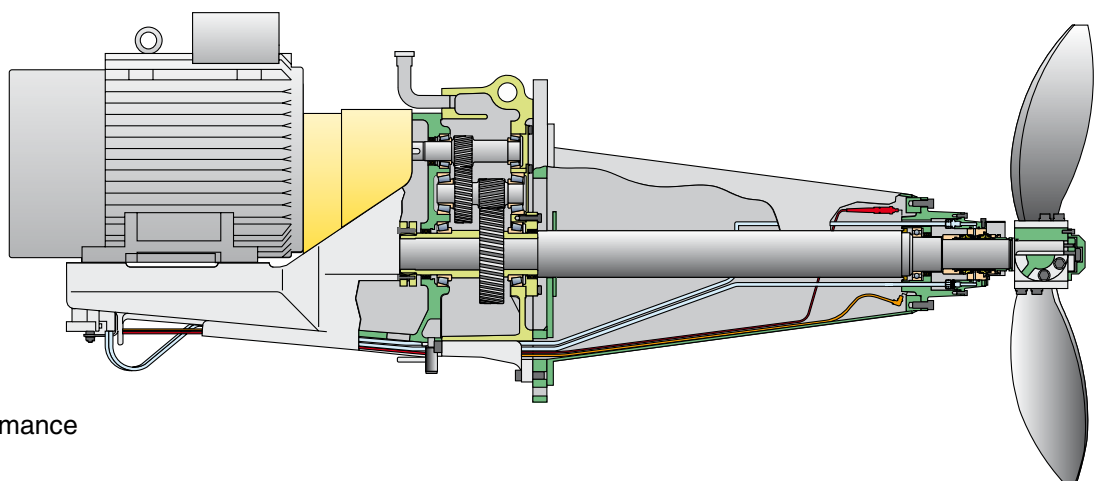
Sulzer Pumps has one of the biggest research centres in the world, specialized in the research and development of agitators and agitation technology for the various needs of the pulp and paper industry all over the world. Sulzer Pumps has thus accumulated unique expertise of agitation processes.

Precision manufacturing technology together with strict quality control procedures according to ISO 9001:2000 assure top efficiency and performance. Under process conditions specified together with the customer Sulzer agitators attain the required mixing result.

Sulzer Pumps has developed the SALOMIX® SLG stock agitator to be the most advanced gear driven chest agitator, by combining the well-known SALOMIX® 4-blade propeller and the conical body shape with a gearbox.



## High Efficiency Chest Agitator with Proven Features for All Purposes



### Design

- compact
- space saving
- excellent performance

### Cone

- better flow properties
- better propeller position
- better bearing position
- stainless steel internal piping

### Propeller

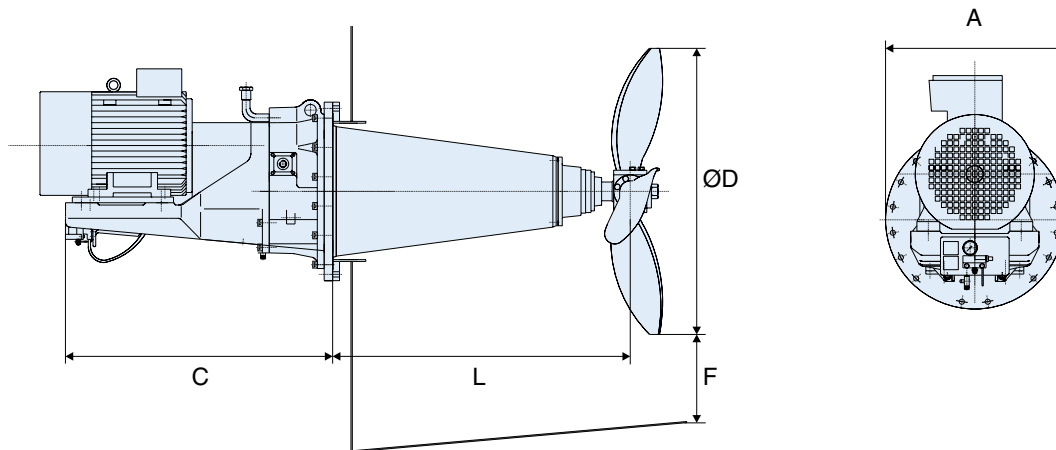
- 4 blades \*
- adjustable blade angle \*
- optional cast shape \*

\* propeller diameters 800 mm and over

### Economy

- low power consumption
- quick and easy mounting
- high availability

# Main Dimensions



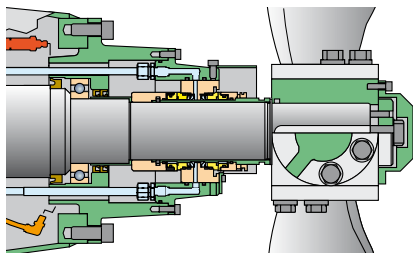
| Agitator type | ØA mm | C mm | ØD mm | L* mm | F mm | M** kg |
|---------------|-------|------|-------|-------|------|--------|
| SLG-50        | 440   | 800  | 500   | 850   | 200  | 200    |
| SLG-63        | 440   | 800  | 630   | 850   | 200  | 210    |
| SLG-80        | 440   | 800  | 800   | 850   | 250  | 225    |
| SLG-100       | 440   | 900  | 1000  | 850   | 350  | 325    |
| SLG-125       | 780   | 1167 | 1250  | 1300  | 400  | 855    |
| SLG-160       | 780   | 1387 | 1600  | 1300  | 500  | 1210   |
| SLG-170       | 780   | 1387 | 1650  | 1300  | 500  | 1360   |

\* For special cases 300 mm extension for L is available.

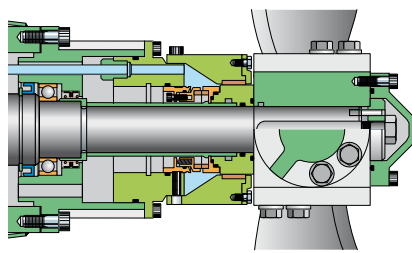
\*\* The weights (m) are without motor.

## Available Options

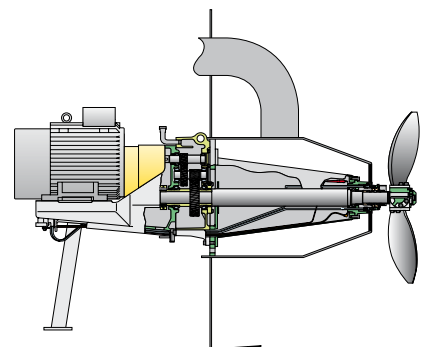
- motor
- wall ring with or without the DILCO dilution cone
- single or double mechanical seal with or without Labyrinth
- sealing water unit
- bearing control unit
- support legs
- special painting
- grease lubricated seal
- special cone/propeller materials



Single or double mechanical seal



Labyrinth seal



Support legs and DILCO for dilution water intake



Check our worldwide offices at  
[www.sulzerpumps.com](http://www.sulzerpumps.com)