



SULZER

Sulzer Pumps

Shaft Seal Service Kits for SL Agitators

Sulzer Pumps has created shaft seal service kits to ease the maintenance of SL agitators. The service kits are available for the following SL agitator series:

- SLB
- SLG
- SLF
- SLH

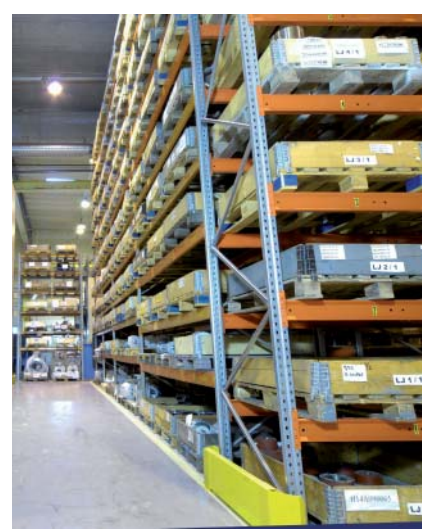
SL shaft seal service kits ensure that all normal wear parts such as mechanical seal, bearings, sleeves, o-rings etc. are readily available when servicing the SL agitator shaft seal.

SL shaft seal service kits speed up the maintenance of SL agitators, reducing down time and increasing process efficiency.

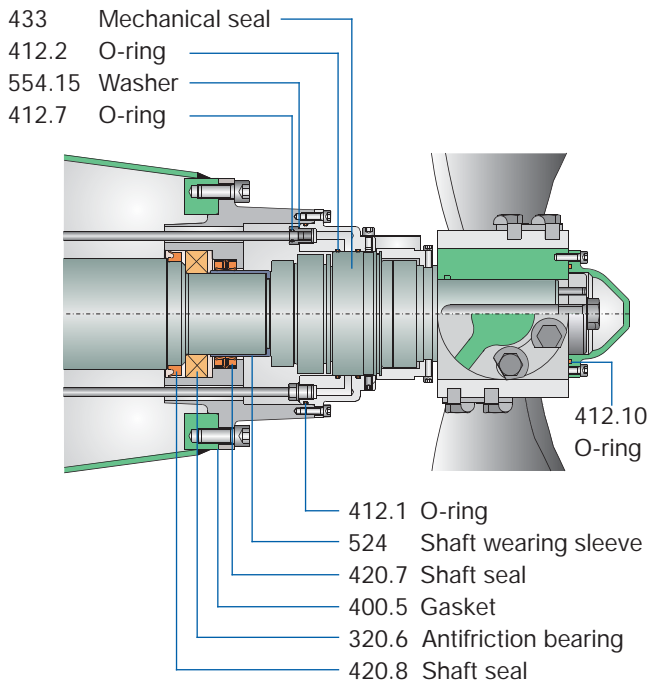
Please contact your local sales office for further information.

Key Benefits

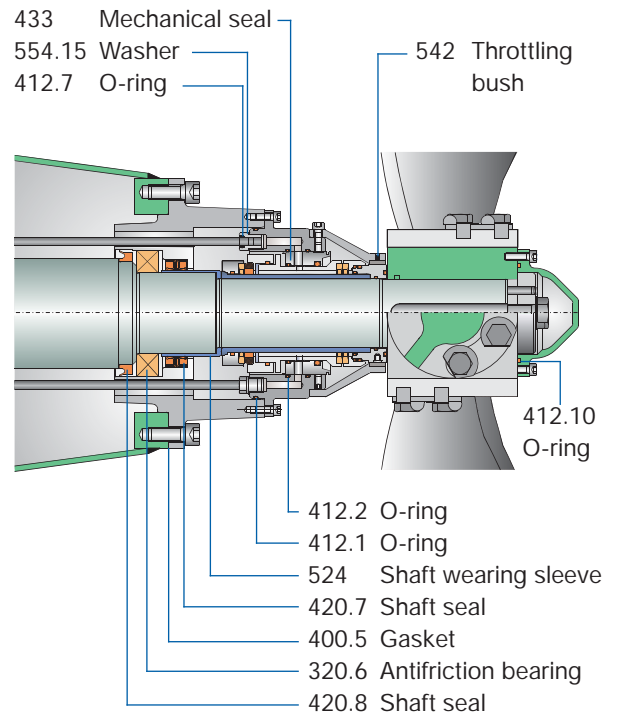
- All components required for SL shaft seal service in one package
- Easy to identify and use
- Easy to specify and order
- Easy to store
- Saves time and costs in maintenance and purchasing
- Reduced inventories and costs
- Recyclable packaging
- Original spare parts ensure compatibility and reliability as well as reducing lifetime costs



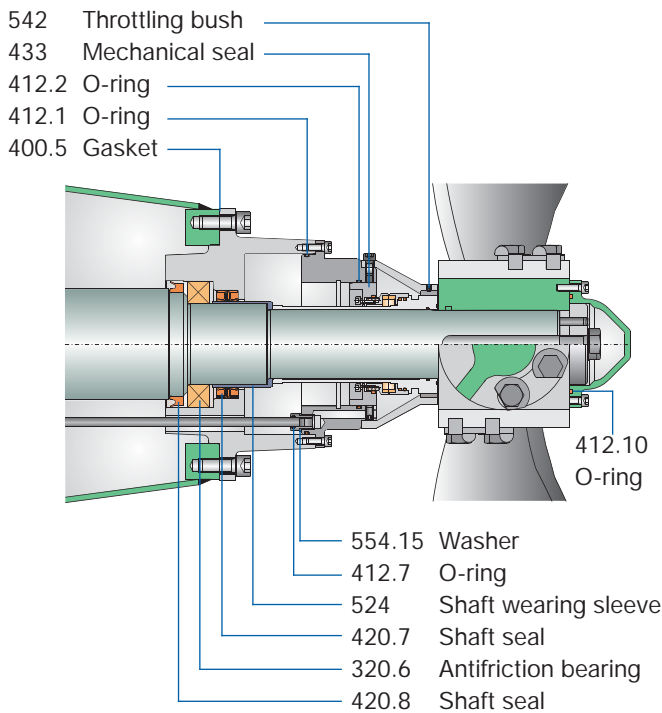
Shaft Seal Service Kit for SLG/SLB Agitators with Double Mechanical Seal



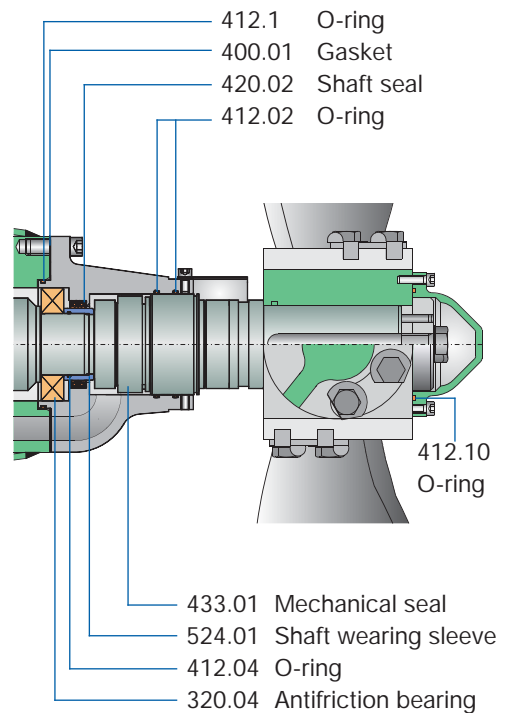
Shaft Seal Service Kit for SLG/SLB Agitators with Double Mechanical Seal with Labyrinth and Flushing



Shaft Seal Service Kit for SLG/SLB Agitators with Single Mechanical Seal with Labyrinth and Flushing



Shaft Seal Service Kit for SLF Agitators with Double Mechanical Seal



www.sulzerpumps.com
spareparts.spfin@sulzer.com

E00626 en 12.2009, Copyright © Sulzer Pumps

This brochure is a general presentation. It does not provide any warranty or guarantee of any kind. Please, contact us for a description of the warranties and guarantees offered with our products. Directions for use and safety will be given separately. All information herein is subject to change without notice.