

SULZER

Massblatt PIRANHA PE110/2-55/2 Nassinstallation

No: AN-M.04.043 -02

Dimension sheet WET-WELL Installation

Drawn: 25/09/09 D.Whehan

Dimensioni Installazione sommersa

Issue Date: 25.09.09

Hoja de dimensiones instalacion sumergida

Znderungen vorbehalten

Plan d'encombrement Installation noyee

Technical changes reserved

Con riserva di modifiche

Con reserva de modificaciones

Sous r serve de modification

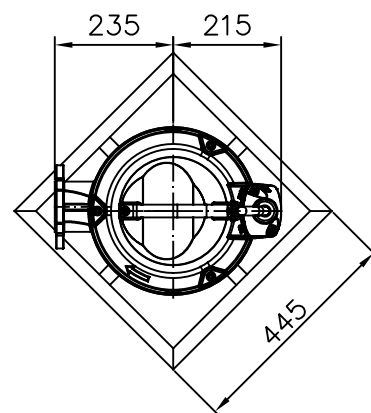
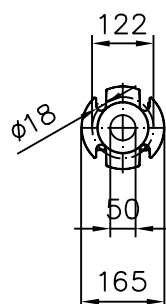
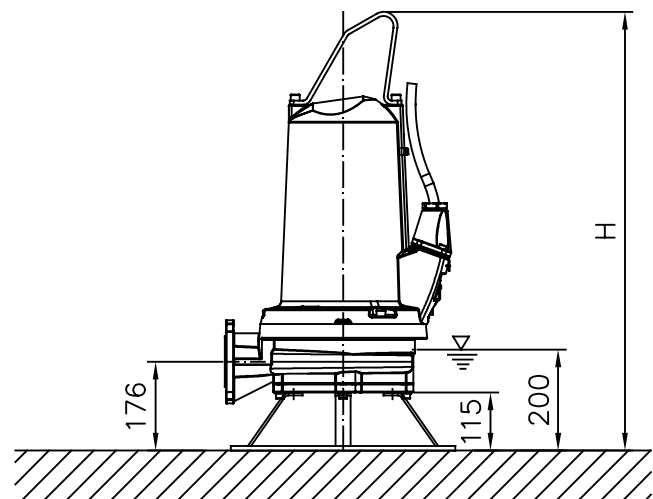
50 Hz

S.I.

Typ Type Tipo	Gewicht Weight Poids Peso (kg)	H
PE 55/2	134	800
PE 70/2	134	800
PE 90/2	164	800
PE 110/2	164	870

60 Hz

Typ Type Tipo	Gewicht Weight Poids Peso (kg)	H
PE 80/2	144	800
PE 100/2	174	870
PE 110/2	174	870
PE 125/2	174	870



Gewicht: Beinhaltet Pumpe, Bodenstutzgestell und Kabel (50Hz = 10m; 60Hz = 15m)

Weight: includes pump, skirtbase and cable (50Hz = 10m; 60Hz = 15m)

Peso: Incluye bomba, base soporte y cable (50Hz = 10m; 60Hz = 15m)

Peso: include: pompa, base d'appoggio e cavo (50Hz = 10m; 60Hz = 15m)

Poids: incluant la pompe, le trepied et le cable (50Hz = 10m; 60Hz = 15m)

Guss-Allgemeintoleranzen nach DIN1680 - GTB16

General tolerances for castings in acc. to DIN1680-GTB16

Tolleranze generali delle fusioni secondo DIN1680-GTB16

Tolerancias generales para la fundicion seg. de DIN1680-GTB16

Tol rance g n rale de la fonderie selon DIN1680-GTB16

SULZER

Massblatt PIRANHA PE110/2-55/2 Nassinstallation

No: AN-M.04.043 -02

Dimension sheet WET-WELL Installation

Drawn: 25/09/09 D.Wheelan

Dimensioni Installazione sommersa

Issue Date: 25.09.09

Hoja de dimensiones instalacion sumergida

Znderungen vorbehalten

Technical changes reserved

Con riserva di modifiche

Con reserva de modificaciones

Sous r serve de modification

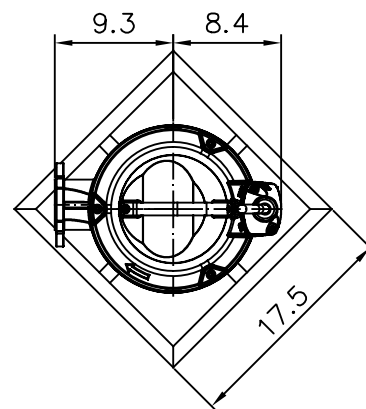
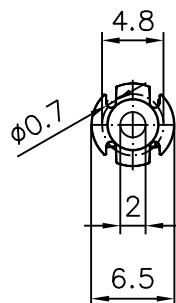
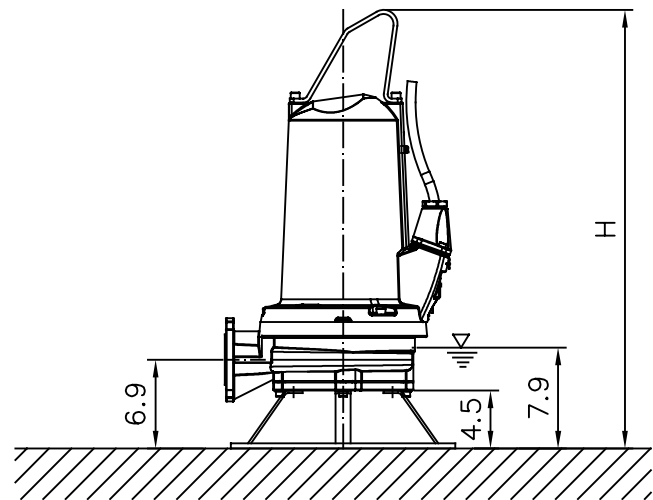
50 Hz

U.S.

Typ Type Tipo	Gewicht Weight Poids Peso (lbs)	H
PE 55/2	296	31.5
PE 70/2	296	31.5
PE 90/2	361	31.5
PE 110/2	361	34.3

60 Hz

Typ Type Tipo	Gewicht Weight Poids Peso (lbs)	H
PE 80/2	318	31.5
PE 100/2	384	34.3
PE 110/2	384	34.3
PE 125/2	384	34.3



Gewicht: Beinhaltet Pumpe, Bodenstutzgestell und Kabel (50Hz = 10m; 60Hz = 15m)

Weight: includes pump, skirtbase and cable (50Hz = 10m; 60Hz = 15m)

Peso: Incluye bomba, base soporte y cable (50Hz = 10m; 60Hz = 15m)

Peso: include: pompa, base d'appoggio e cavo (50Hz = 10m; 60Hz = 15m)

Poids: incluant la pompe, le trepied et le cable (50Hz = 10m; 60Hz = 15m)

Guss-Allgemeintoleranzen nach DIN1680 - GTB16

General tolerances for castings in acc. to DIN1680-GTB16

Tolleranze generali delle fusioni secondo DIN1680-GTB16

Tolerancias generales para la fundicion seg. de DIN1680-GTB16

Tol rance g n rale de la fonderie selon DIN1680-GTB16