

SULZER

Massblatt PIRANHA PE110/2-55/2 Trockeninstallation

Dimension sheet DRY-WELL Installation

Dimensioni Installazione a secco

Hoja de dimensiones instalación en seco

Plan d'encombrement Installation à sec

No: AN-M.04.044 -01

Drawn: 25/09/09 D.Whehan

Issue Date: 25.09.09

Änderungen vorbehalten

Technical changes reserved

Con riserva di modifiche

Con reserva de modificaciones

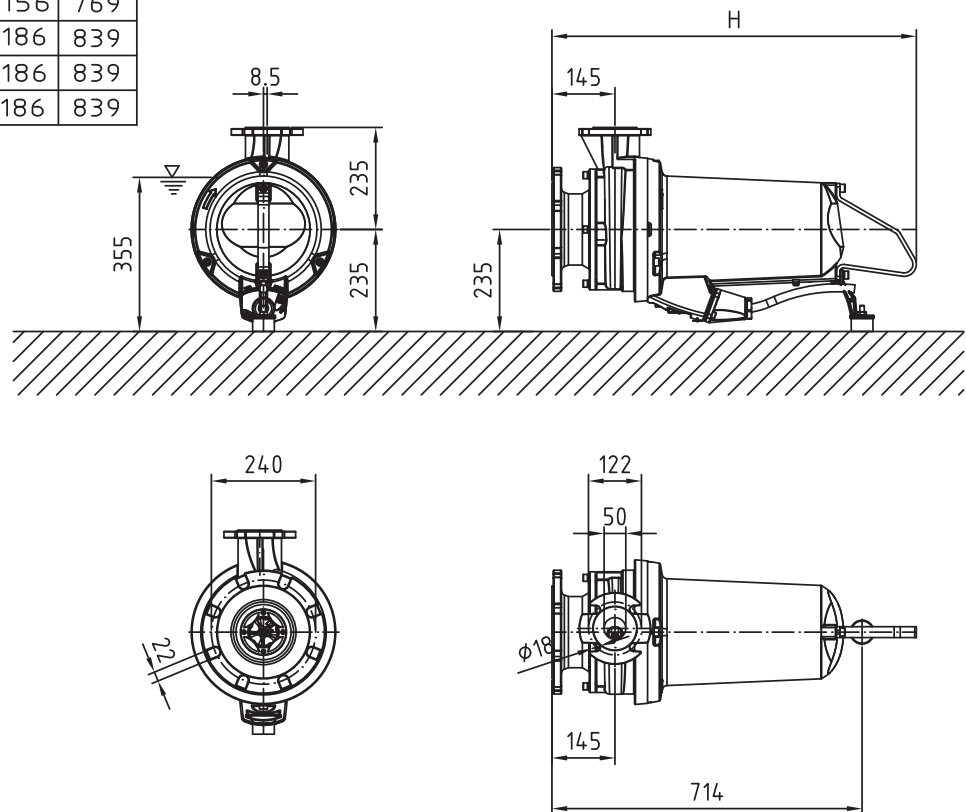
Sous réserve de modification

50 Hz**S.I.**

| Typ Type Tipo | Gewicht Weight Poids Peso (kg) | H |
|---------------------|--|-----|
| PE 55/2 | 146 | 769 |
| PE 70/2 | 146 | 769 |
| PE 90/2 | 176 | 769 |
| PE 110/2 | 176 | 839 |

60 Hz

| Typ Type Tipo | Gewicht Weight Poids Peso (kg) | H |
|---------------------|--|-----|
| PE 80/2 | 156 | 769 |
| PE 100/2 | 186 | 839 |
| PE 110/2 | 186 | 839 |
| PE 125/2 | 186 | 839 |



Gewicht: Beinhaltet Pumpe ,horizontal Stützen und Kabel (50 Hz = 10 m; 60 Hz = 15 m)

Weight: includes pump, horizontal supports and cable (50 Hz = 10 m; 60 Hz = 15 m)

Peso: include pompa, supporti orizzontali e cavo (50 Hz = 10 m; 60 Hz = 15 m)

Peso: Incluye bomba, soporte horizontal y cable (50 Hz = 10 m; 60 Hz = 15 m)

Poids : incluant la pompe, les supports horizontaux et le cable (50 Hz = 10 m; 60 Hz = 15 m)

Guss-Allgemeintoleranzen nach DIN1680 - GTB16

General tolerances for castings in acc. to DIN1680-GTB16

Tolleranze generali delle fusioni secondo DIN1680-GTB16

Tolerancias generales para la fundicion seg. de DIN1680-GTB16

Tolérance générale de la fonderie selon DIN1680-GTB16

SULZER

Massblatt PIRANHA PE110/2-55/2 Trockeninstallation
 Dimension sheet DRY-WELL Installation
 Dimensioni Installazione a secco
 Hoja de dimensiones instalación en seco
 Plan d'encombrement Installation à sec

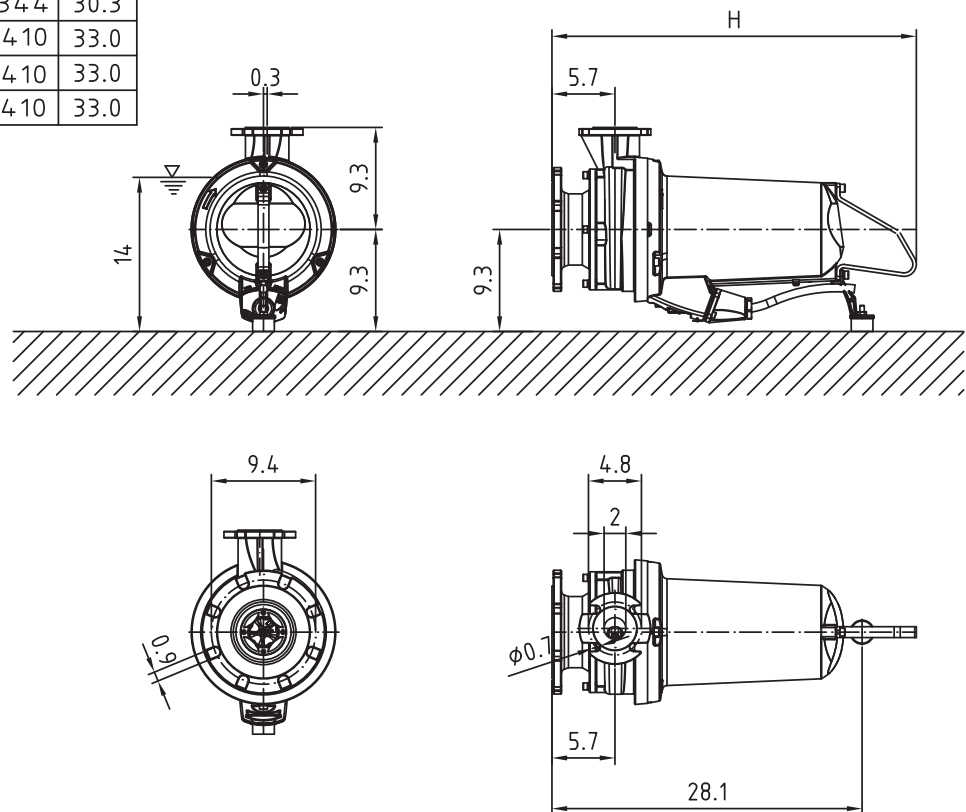
No: AN-M.04.044 -01
 Drawn: 25/09/09 D.Wheelan
 Issue Date: 25.09.09
 Änderungen vorbehalten
 Technical changes reserved
 Con riserva di modifiche
 Con reserva de modificaciones
 Sous réserve de modification

50 Hz**U.S.**

| Typ Type Tipo | Gewicht Weight Poids Peso (lbs) | H |
|---------------------|---|------|
| PE 55/2 | 322 | 30.3 |
| PE 70/2 | 322 | 30.3 |
| PE 90/2 | 388 | 30.3 |
| PE 110/2 | 388 | 33.0 |

60 Hz

| Typ Type Tipo | Gewicht Weight Poids Peso (lbs) | H |
|---------------------|---|------|
| PE 80/2 | 344 | 30.3 |
| PE 100/2 | 410 | 33.0 |
| PE 110/2 | 410 | 33.0 |
| PE 125/2 | 410 | 33.0 |



Gewicht: Beinhaltet Pumpe ,horizontal Stützen und Kabel (50 Hz = 10 m; 60 Hz = 15 m)
 Weight: includes pump, horizontal supports and cable (50 Hz = 10 m; 60 Hz = 15 m)
 Peso: include bomba, supporti orizzontali e cavo (50 Hz = 10 m; 60 Hz = 15 m)
 Peso: Incluye bomba, soporte horizontal y cable (50 Hz = 10 m; 60 Hz = 15 m)
 Poids : incluant la pompe, les supports horizontaux et le cable (50 Hz = 10 m; 60 Hz = 15 m)

Guss-Allgemeintoleranzen nach DIN1680 - GTB16
 General tolerances for castings in acc. to DIN1680-GTB16
 Tolleranze generali delle fusioni secondo DIN1680-GTB16
 Tolerancias generales para la fundicion seg. de DIN1680-GTB16
 Tolérance générale de la fonderie selon DIN1680-GTB16