

SULZER

Massblatt XFP 100G-VX Nassinstallation
 Dimension sheet Wet Well Installation
 Dimensioni Installazione sommersa
 Hoja de dimensiones instalacion sumergida
 Plan d'encombrement Installation noyee

No: AN-M.22.640 - 03
 Drawn: 25/11/10 D.Wheeler
 Issue Date: 09/05/2013
 Änderungen vorbehalten
 Technical changes reserved
 Con riserva di modifiche
 Con reserva de modificaciones
 Sous réserve de modification

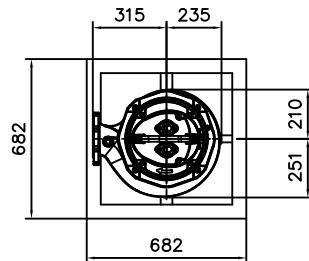
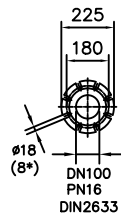
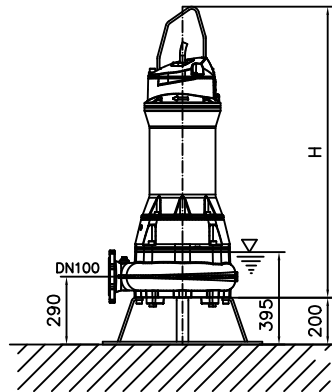
50 Hz**S.I.**

Typ Type Tipo	Gewicht Weight Poids N.C.J. (kg)	Gewicht Weight Poids W.C.J. (kg)	Height H (mm)
PE 110/4	352	392	1262
PE 140/4	352	392	1262
PE 160/4	372	412	1262
PE 185/4	372	412	1262

60 Hz

Typ Type Tipo	Gewicht Weight Poids N.C.J. (kg)	Gewicht Weight Poids W.C.J. (kg)	Height H (mm)

N.C.J. = No Cooling Jacket
 W.C.J. = With Cooling Jacket



Gewicht: Behälter, Pumpe, Bodenstützgestell und Kabel (50Hz = 10m; 60Hz = 15m)
 Weight: Includes pump, skirtbase and cable (50Hz = 10m; 60Hz = 15m)
 Peso: Incluye bomba, base soporte y cable (50Hz = 10m; 60Hz = 15m)
 Peso: Incluye: pompa, base d'appoggio e cavo (50Hz = 10m; 60Hz = 15m)
 Poids: Incluant la pompe, le trepied et le câble (50Hz = 10m; 60Hz = 15m)

Üss-Allgemeintoleranzen nach DIN1680 - GTB16
 General tolerances for castings in acc. to DIN1680-GTB16
 Tolleranze generali delle fusioni secondo DIN1680-GTB16
 Tolerancias generales para la fundicion seg. de DIN1680-GTB16
 Tolérance générale de la fonderie selon DIN1680-GTB16

SULZER

Massblatt XFP 100G-VX Nassinstallation
 Dimension sheet Wet Well Installation
 Dimensioni Installazione sommersa
 Hoja de dimensiones instalacion sumergida
 Plan d'encombrement Installation noyee

No: AN-M.22.640 - 03
 Drawn: 25/11/10 D.Wheeler
 Issue Date: 09/05/2013
 Änderungen vorbehalten
 Technical changes reserved
 Con riserva di modifiche
 Con reserva de modificaciones
 Sous réserve de modification

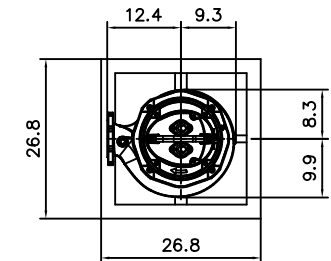
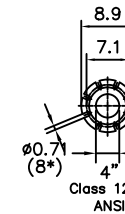
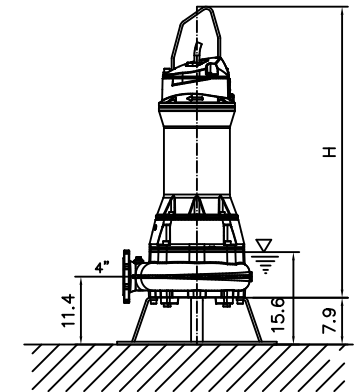
50 Hz**U.S.**

Typ Type Tipo	Gewicht Weight Poids N.C.J. (lbs)	Gewicht Weight Poids W.C.J. (lbs)	Height H (")
PE 110/4	777	865	49.7
PE 140/4	777	865	49.7
PE 160/4	821	909	49.7
PE 185/4	821	909	49.7

60 Hz

Typ Type Tipo	Gewicht Weight Poids N.C.J. (lbs)	Gewicht Weight Poids W.C.J. (lbs)	Height H (")

N.C.J. = No Cooling Jacket
 W.C.J. = With Cooling Jacket



Gewicht: Behälter, Pumpe, Bodenstützgestell und Kabel (50Hz = 10m; 60Hz = 15m)
 Weight: Includes pump, skirtbase and cable (50Hz = 10m; 60Hz = 15m)
 Peso: Incluye bomba, base soporte y cable (50Hz = 10m; 60Hz = 15m)
 Peso: Incluye: pompa, base d'appoggio e cavo (50Hz = 10m; 60Hz = 15m)
 Poids: Incluant la pompe, le trepied et le câble (50Hz = 10m; 60Hz = 15m)

Üss-Allgemeintoleranzen nach DIN1680 - GTB16
 General tolerances for castings in acc. to DIN1680-GTB16
 Tolleranze generali delle fusioni secondo DIN1680-GTB16
 Tolerancias generales para la fundicion seg. de DIN1680-GTB16
 Tolérance générale de la fonderie selon DIN1680-GTB16