

**SULZER**

Massblatt XFP 100G-CB1/2 Nassinstallation  
 Dimension sheet Wet Well Installation  
 Dimensioni Installazione sommersa  
 Hoja de dimensiones instalación sumergida  
 Plan d'encombrement installation noyée

No: AN-M.22.591 - 05  
 Drawn: 05/08/10 D.Wheeler  
 Issue Date: 09/05/2013  
 Änderungen vorbehalten  
 Technical changes reserved  
 Con riserva di modifiche  
 Con reserva de modificaciones  
 Sous réserve de modification

**50 Hz**

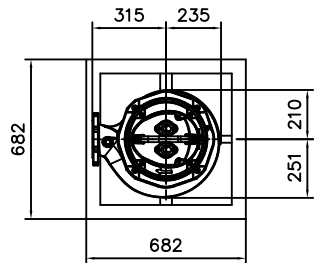
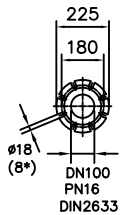
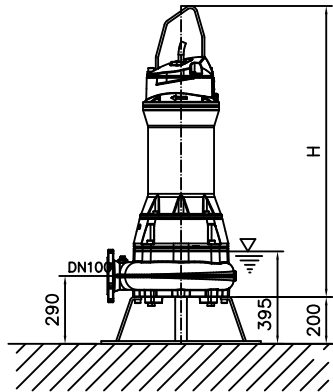
**S.I.**

Typ Type Tipo	Gewicht Weight Poids N.C.J. (kg)	Gewicht Weight Poids W.C.J. (kg)	Height H (mm)
PE 110/4	362	402	1282
PE 140/4	362	402	1282
PE 160/4	382	422	1282
PE 185/4	382	422	1282
PE 220/4	392	442	1322

**60 Hz**

Typ Type Tipo	Gewicht Weight Poids N.C.J. (kg)	Gewicht Weight Poids W.C.J. (kg)	Height H (mm)
PE 90/6	372	422	1282
PE 130/4	362	411	1282
PE 150/4	362	411	1282
PE 185/4	382	431	1282
PE 210/4	392	432	1282
PE 250/4	411	461	1322

N.C.J. = No Cooling Jacket  
 W.C.J. = With Cooling Jacket



Gewicht: Beinhaltet Pumpe, Bodenstützgestell und Kabel (50Hz = 10m; 60Hz = 15m)  
 Weight: includes pump, skirtbase and cable (50Hz = 10m; 60Hz = 15m)  
 Peso: incluye bomba, base soporte y cable (50Hz = 10m; 60Hz = 15m)  
 Peso: include: pompa, base d'appoggio e cavo (50Hz = 10m; 60Hz = 15m)  
 Poids: incluant la pompe, le trepied et le câble (50Hz = 10m; 60Hz = 15m)

Gew: Allgemetoleranzen nach DIN1680 - GTB16  
 General tolerances for castings in acc. to DIN1680-GTB16  
 Tolleranze generali delle fusioni secondo DIN1680-GTB16  
 Tolerancias generales para la fundición seg. de DIN1680-GTB16  
 Tolérance générale de la fonderie selon DIN1680-GTB16

**SULZER**

Massblatt XFP 100G-CB1/2 Nassinstallation  
 Dimension sheet Wet Well Installation  
 Dimensioni Installazione sommersa  
 Hoja de dimensiones instalación sumergida  
 Plan d'encombrement installation noyée

No: AN-M.22.591 - 05  
 Drawn: 05/08/10 D.Wheeler  
 Issue Date: 09/05/2013  
 Änderungen vorbehalten  
 Technical changes reserved  
 Con riserva di modifiche  
 Con reserva de modificaciones  
 Sous réserve de modification

**50 Hz**

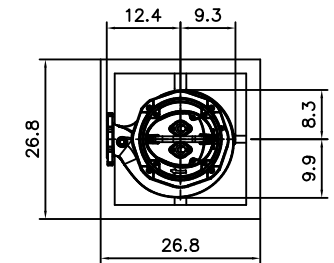
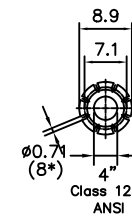
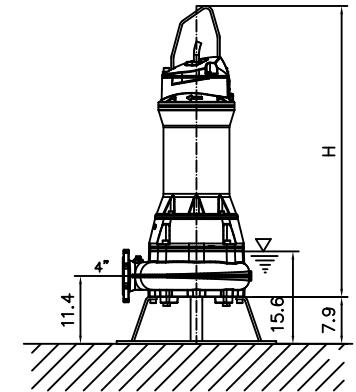
**U.S.**

Typ Type Tipo	Gewicht Weight Poids N.C.J. (lbs)	Gewicht Weight Poids W.C.J. (lbs)	Height H (")
PE 110/4	799	887	49
PE 140/4	799	887	49
PE 160/4	843	931	49
PE 185/4	843	931	49
PE 220/4	865	975	50.6

**60 Hz**

Typ Type Tipo	Gewicht Weight Poids N.C.J. (lbs)	Gewicht Weight Poids W.C.J. (lbs)	Height H (")
PE 90/6	821	931	49
PE 130/4	799	906	49
PE 150/4	799	906	49
PE 185/4	843	950	49
PE 210/4	865	953	49
PE 250/4	906	1016	50.6

N.C.J. = No Cooling Jacket  
 W.C.J. = With Cooling Jacket



Gewicht: Beinhaltet Pumpe, Bodenstützgestell und Kabel (50Hz = 10m; 60Hz = 15m)  
 Weight: includes pump, skirtbase and cable (50Hz = 10m; 60Hz = 15m)  
 Peso: incluye bomba, base soporte y cable (50Hz = 10m; 60Hz = 15m)  
 Peso: include: pompa, base d'appoggio e cavo (50Hz = 10m; 60Hz = 15m)  
 Poids: incluant la pompe, le trepied et le câble (50Hz = 10m; 60Hz = 15m)

Gew: Allgemetoleranzen nach DIN1680 - GTB16  
 General tolerances for castings in acc. to DIN1680-GTB16  
 Tolleranze generali delle fusioni secondo DIN1680-GTB16  
 Tolerancias generales para la fundición seg. de DIN1680-GTB16  
 Tolérance générale de la fonderie selon DIN1680-GTB16