

SULZER

Massblatt XFP 151E-CB2 Nassinstallation

No: AN-M.22.575 -03

Dimension sheet WET-WELL Installation

Drawn: 23.09.09/D.Whelan

Dimensioni Installazione sommersa

Issue Date: 09/05/2013

Hoja de dimensiones instalación sumergida

Änderungen vorbehalten
Technical changes reserved
Con riserva di modifiche
Con reserva de modificaciones
Sous réserve de modification

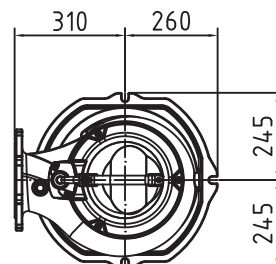
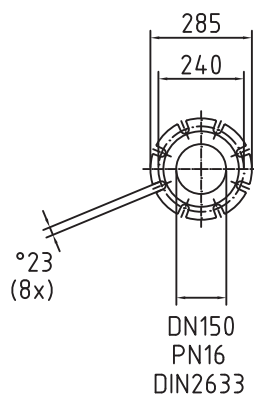
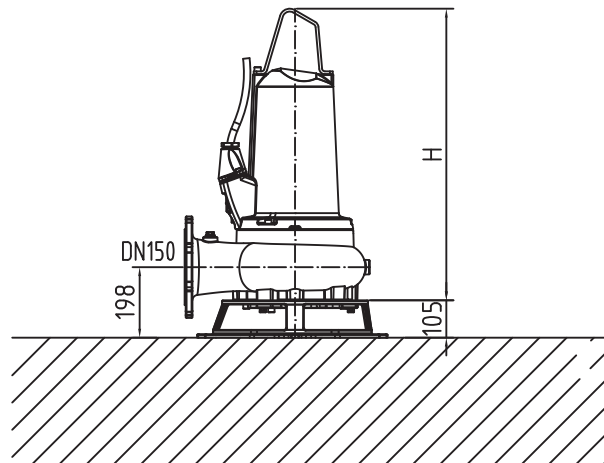
Plan d'encombrement Installation noyee

50Hz**S.I.**

Typ Type Tipo	Gewicht Weight Poids Peso (kg)	H (mm)
PE 49/4	191	749
PE 60/4	191	749
PE 90/4	211	819

60Hz

Typ Type Tipo	Gewicht Weight Poids Peso (kg)	H (mm)
PE 35/6	181	749
PE 75/4	191	749
PE 90/4	211	749
PE 105/4	221	819



Gewicht: Beinhaltet Pumpe, Bodenstützgestell und Kabel (50Hz = 10m; 60Hz = 15m)
 Weight: includes pump, skirtbase and cable (50Hz = 10m; 60Hz = 15m)
 Peso: Incluye bomba, base soporte y cable (50Hz = 10m; 60Hz = 15m)
 Peso: include: pompa, base d'appoggio e cavo (50Hz = 10m; 60Hz = 15m)
 Poids: incluant la pompe, le trepied et le câble (50Hz = 10m; 60Hz = 15m)

Guss-Allgemeintoleranzen nach DIN1680 - GTB16

General tolerances for castings in acc. to DIN1680-GTB16

Tolleranze generali delle fusioni secondo DIN1680-GTB16

Tolerancias generales para la fundición ség. de DIN1680-GTB16

Tolérance générale de la fonderie selon DIN1680-GTB16

SULZER

Massblatt XFP 151E-CB2 Nassinstallation

No: AN-M.22.575 -03

Dimension sheet WET-WELL Installation

Drawn: 23.09.09/D.Whelan

Dimensioni Installazione sommersa

Issue Date: 09/05/2013

Hoja de dimensiones instalación sumergida

Änderungen vorbehalten
Technical changes reserved
Con riserva di modifiche
Con reserva de modificaciones
Sous réserve de modification

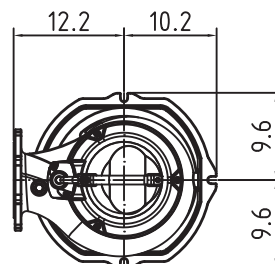
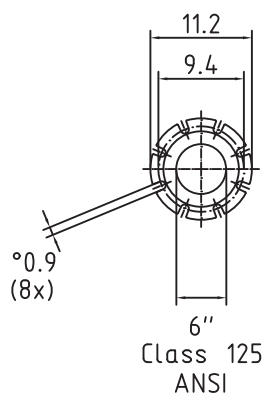
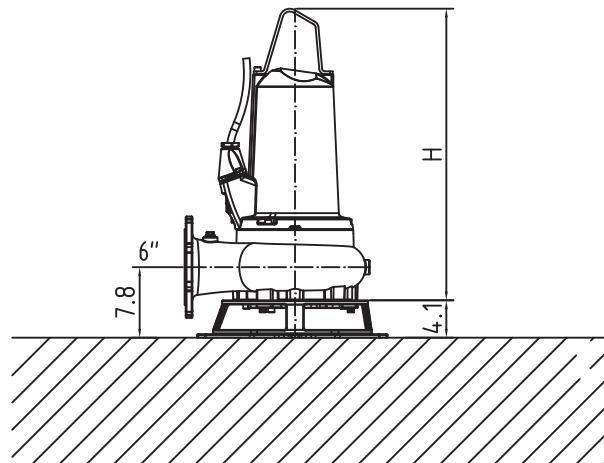
Plan d'encombrement Installation noyee

50Hz**U.S.**

Typ Type Tipo	Gewicht Weight Poids Peso (lbs)	H (")
PE 49/4	422	29.5
PE 60/4	422	29.5
PE 90/4	466	32.2

60Hz

Typ Type Tipo	Gewicht Weight Poids Peso (lbs)	H (")
PE 35/6	400	29.5
PE 75/4	422	29.5
PE 90/4	466	32.2
PE 105/4	488	32.2



Gewicht: Beinhaltet Pumpe, Bodenstützgestell und Kabel (50Hz = 10m; 60Hz = 15m)
 Weight: includes pump, skirtbase and cable (50Hz = 10m; 60Hz = 15m)
 Peso: Incluye bomba, base soporte y cable (50Hz = 10m; 60Hz = 15m)
 Peso: include: pompa, base d'appoggio e cavo (50Hz = 10m; 60Hz = 15m)
 Poids: incluant la pompe, le trepied et le câble (50Hz = 10m; 60Hz = 15m)

Guss-Allgemeintoleranzen nach DIN1680 - GTB16

General tolerances for castings in acc. to DIN1680-GTB16

Tolleranze generali delle fusioni secondo DIN1680-GTB16

Tolerancias generales para la fundición ség. de DIN1680-GTB16

Tolérance générale de la fonderie selon DIN1680-GTB16